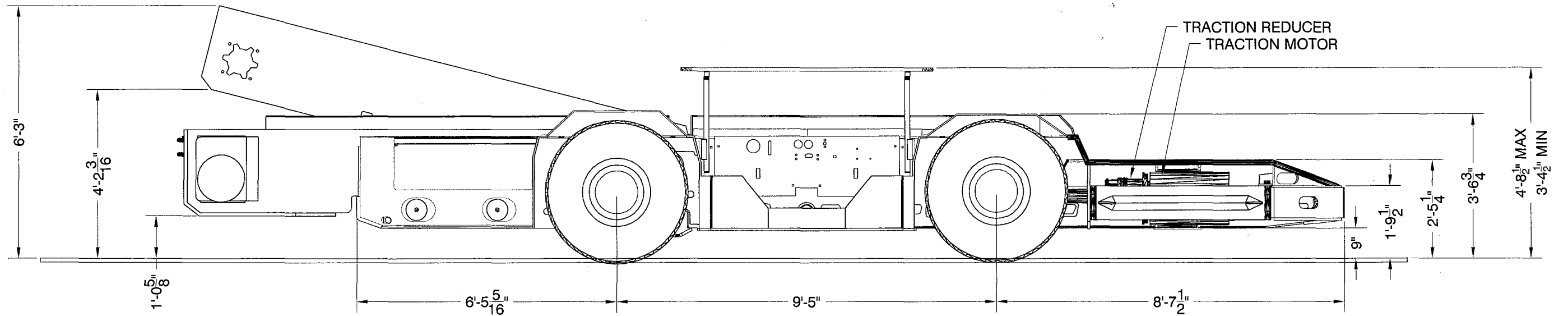
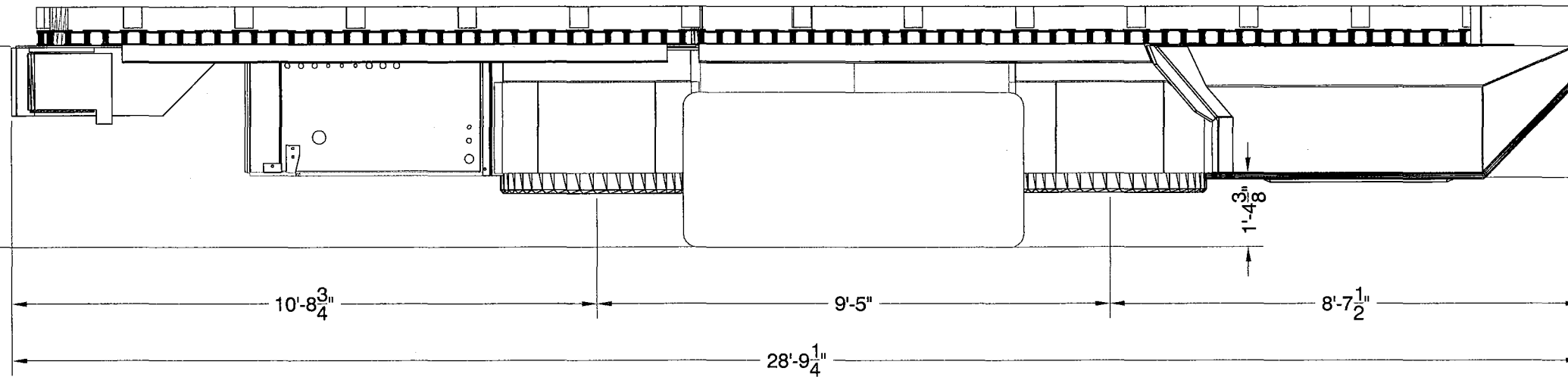


MODEL NO.	CONVEYOR WIDTH	BODY WIDTH	OVERALL WIDTH	CAPACITY W-O SB	CAPACITY 6" SB	CAPACITY 9" SB	CAPACITY 12" SB	OUTSIDE TURNING RAD.
10/21K-56AA-3	56"	114"	133"	175 CU. FT.	238 CU. FT.	271 CU. FT.	304 CU. FT.	22'-8"
10/21K-59AA-3	59"	117"	136"	184 CU. FT.	253 CU. FT.	286 CU. FT.	319 CU. FT.	22'-10"
10/21K-64AA-3	64"	122"	141"	199 CU. FT.	270 CU. FT.	307 CU. FT.	345 CU. FT.	23'-2"



ALL MEASUREMENTS WITH
42-13-20 TIRES

10/21 SC32 AA
SHUTTLE CAR
ASSEMBLY

The information contained in this print is the Property of Highland Machinery and is intended for the use of the recipient (s) for it was originally supplied. Any unauthorized distribution or reproduction of this print or the equipment depicted is prohibited.

Highland Machinery
P.O. BOX 1190
OAK HILL, WV 25901
PHONE: (304) 465-3295
FAX: (304) 465-3296

DESC:	10SC32-10/21 GENERAL ARRANGEMENT		
DATE:	4-15-05	SCALE:	1:32
DWG#:	10/21 ASSEM	DR.:	JK
REVISIONS:			