

FIGURE 1 OPERATING POSITION
(REMOVE PIN)

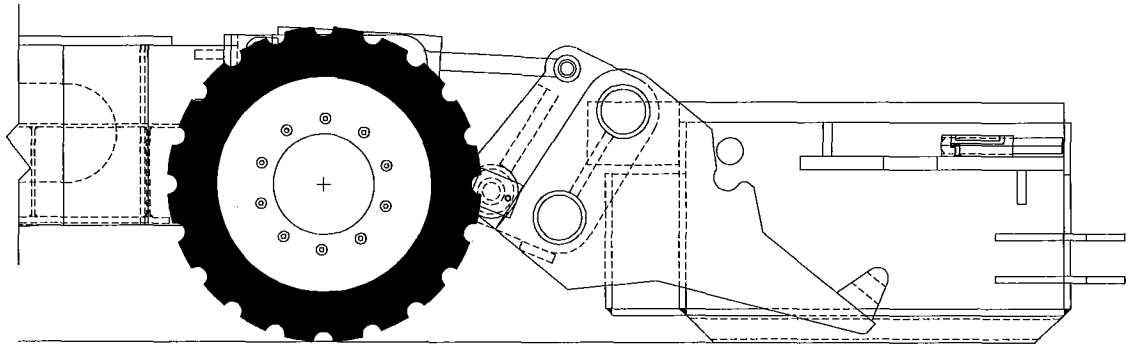


FIGURE 2 LOWERED POSITION

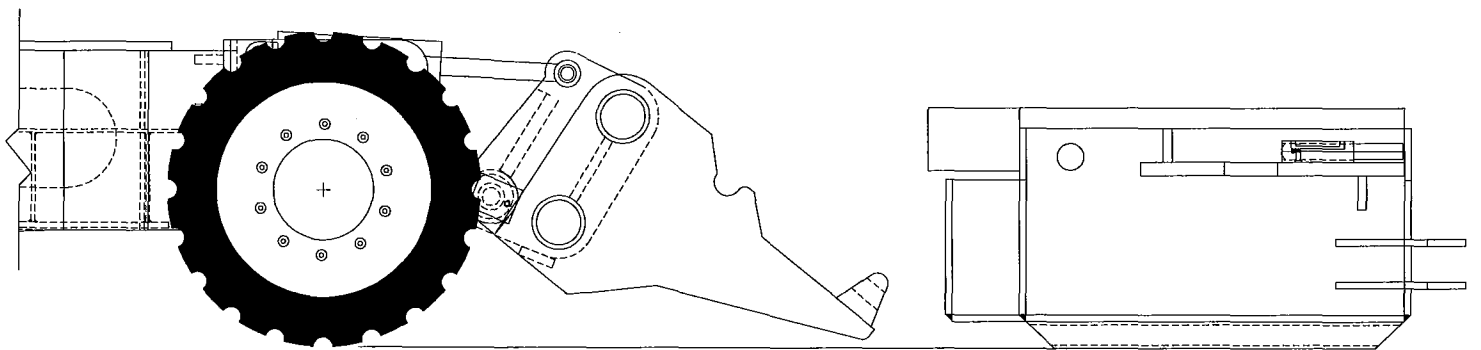


FIGURE 3 UNLOADING POSITION

The information contained in this print is the Property of HIGHLAND MACHINERY and is intended for the use of the recipient (recipient's) for which it was originally supplied. Any unauthorized distribution or reproduction of this print or the equipment depicted is prohibited.

HIGHLAND MACHINERY
 P.O. BOX 1190
 OAK HILL, WV 25901
 PHONE: (304) 465-3295
 FAX: (304) 465-3296

GROUND BASE BATTERY CHANGING
 SYSTEM (UNLOADING)

REF #	DATE	DR.
1488-BAT	11/1/01	JK
SCALE	1:20	
REVISION		
1		
2		
3		
4		

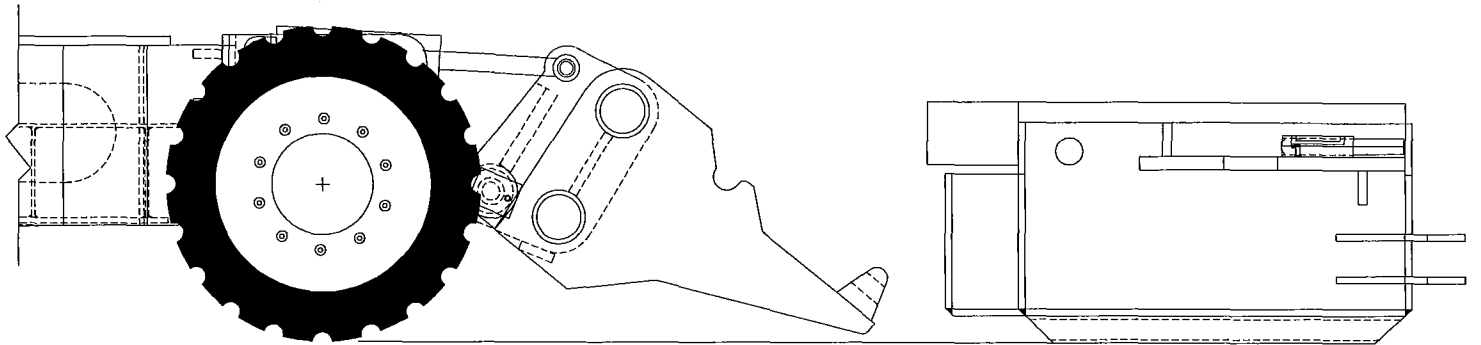


FIGURE 4 ALIGNMENT POSITION

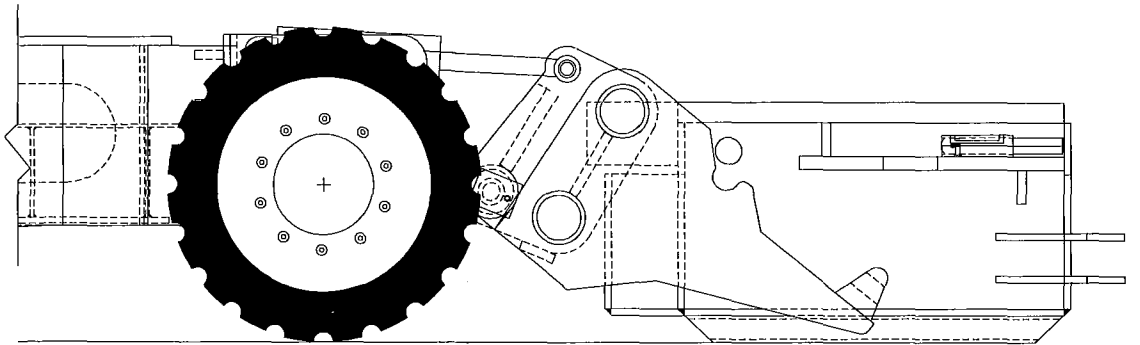


FIGURE 5 LIFTING POSITION

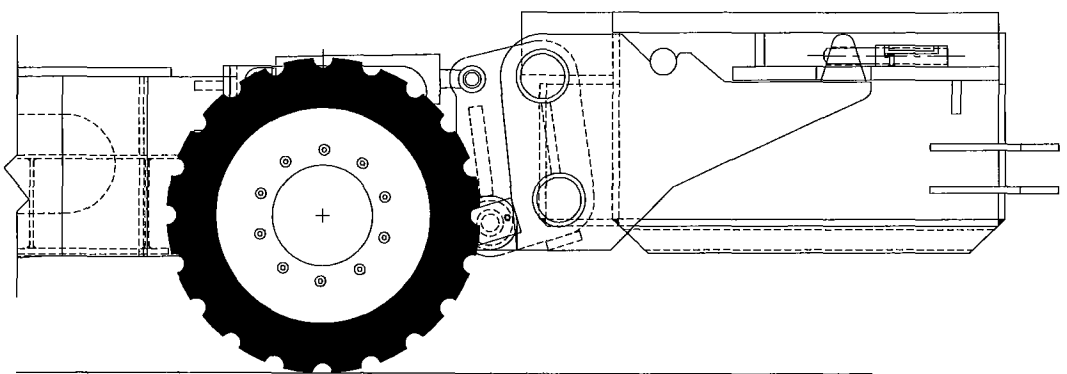


FIGURE 6 OPERATING POSITION
(INSERT PIN)

The information contained in this print is the Property of HIGHLAND MACHINERY and is intended for the use of the recipient (recipient's) for which it was originally supplied. Any unauthorized distribution or reproduction of this print or the equipment depicted is prohibited.

HIGHLAND MACHINERY
 P.O. BOX 1190
 OAK HILL, WV 25901
 PHONE: (304) 465-3295
 FAX: (304) 465-3296

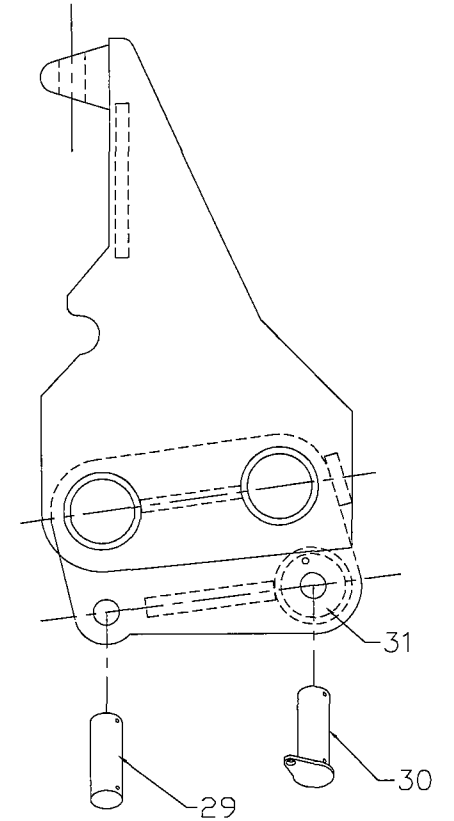
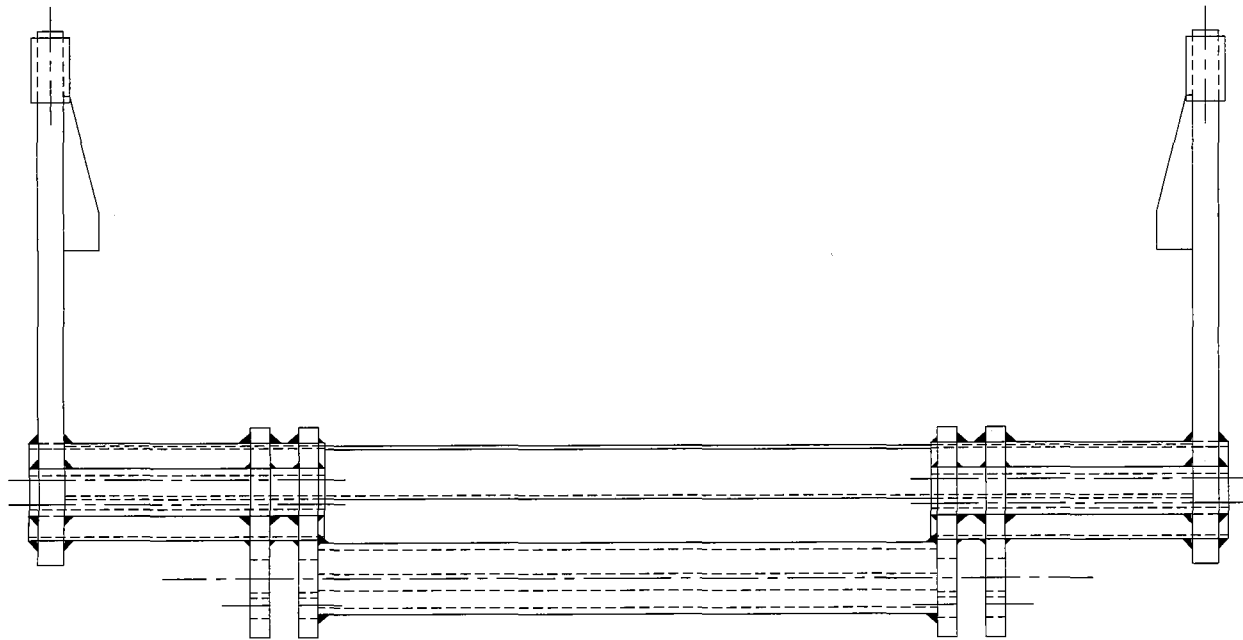
DESC: GROUND BASE BATTERY CHANGING SYSTEM (LOADING)

REF: 1
 INC: 488-BAT

DATE: 11/1/01
 SCALE: 1:20
 DR: JK

REV	DATE	BY	CHKD
1			
2			
3			
4			

PART # W0132J



#REQ	ITEM#	DESCRIPTION	PART#
2	29	1 1/2" PIN	W0132J9
2	30	2" PIN	W0132J8
2	31	BUSHING	B-4306

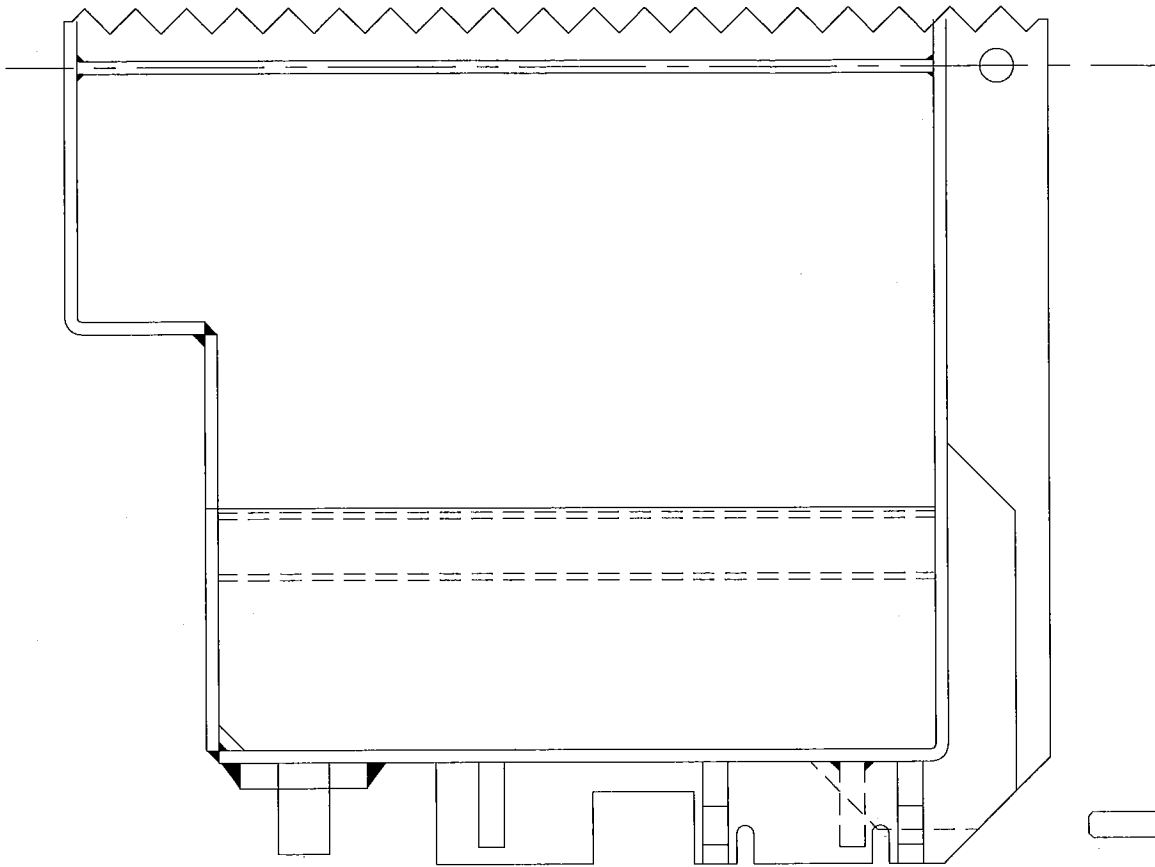
The information contained in this print is the Property of **HIGHLAND MACHINERY** and is intended for the use of the recipient (recipient's) for which it was originally supplied. Any unauthorized distribution or reproduction of this print or the equipment depicted is prohibited.

HIGHLAND MACHINERY
 P.O. BOX 1190 OAK HILL, WV 25901
 PHONE: (304) 465-3235
 FAX: (304) 465-3296

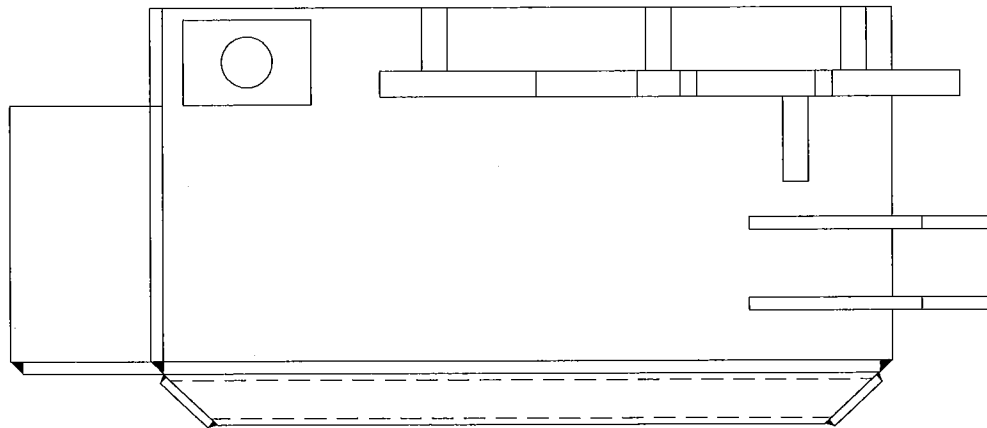
DESC: LIFT ARM WELDMENT
 GROUND BASE BATTERY SYSTEM

REV. #	DATE	BY	CHK
1	12-07-01	JK	
2			
3			
4			

FIG. # W0132-D5 SCALE: NONE

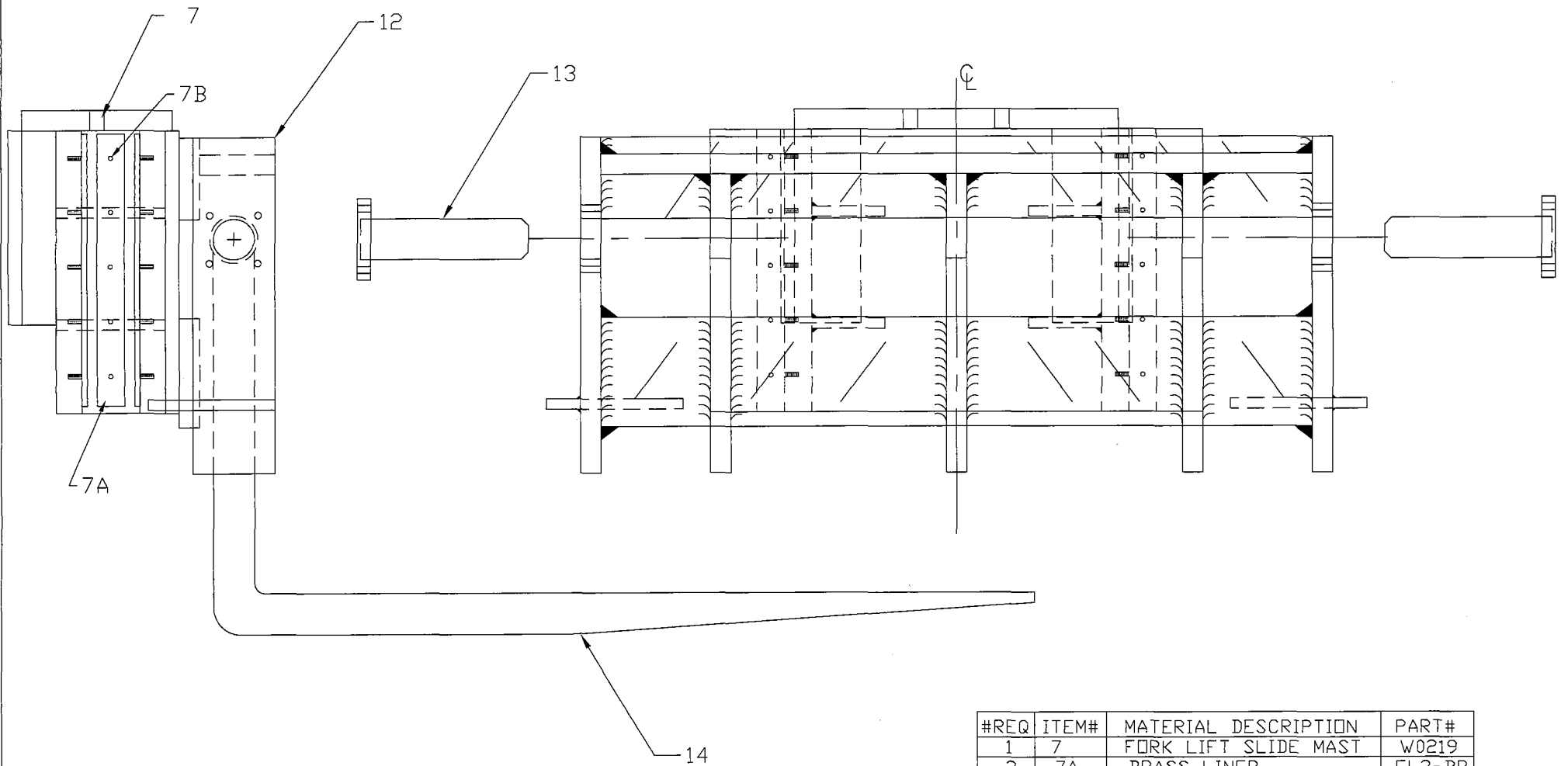


LOCKING PIN
P/N W0126J--P



P/N W0136J

HIGHLAND MACHINERY			
DESC. BATTERY TRAY FOR 488-6 W/BATTERY CHANGE			
REF. #	DATE	1/21/02	1) _____
ORIG. #	SCALE	1/48	2) _____
SALES DRAWING	DR.	JK	3) _____
			4) _____

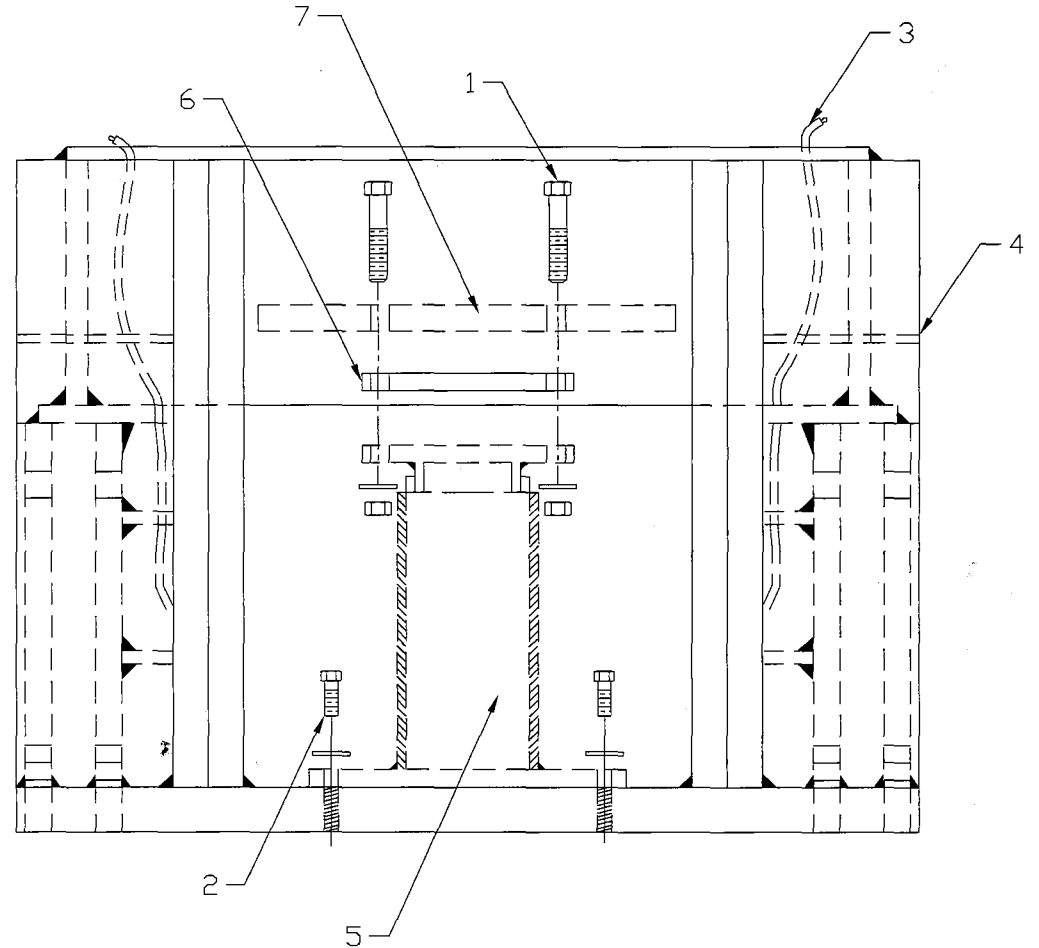
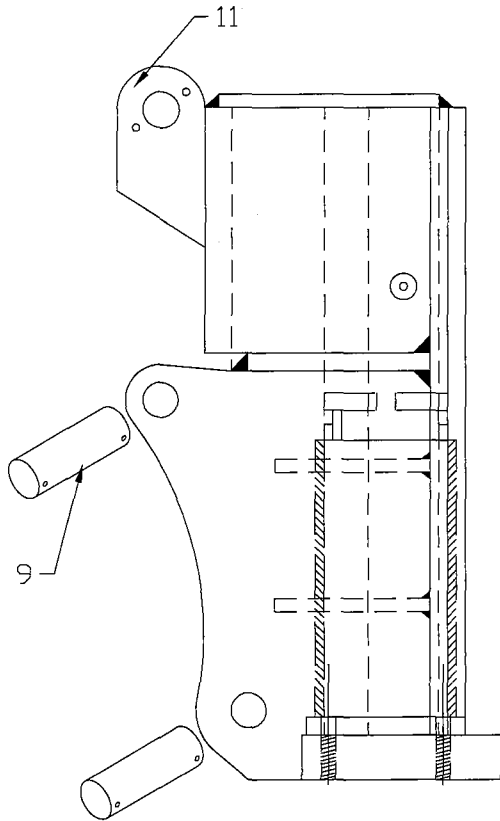


#REQ	ITEM#	MATERIAL DESCRIPTION	PART#
1	7	FORK LIFT SLIDE MAST	W0219
3	7A	BRASS LINER	FL3-BR
30	7B	BRASS FLAT HEAD CAP SCREW	
1	12	FORK LIFT MAST	FL2
2	13	3" MAST PINS	FL2-D7
2	14	FORKS	FL2-F

The information contained in this print is the Property of HIGHLAND MACHINERY and is intended for the use of the recipient (recipient's) for which it was originally supplied. Any unauthorized distribution or reproduction of this print or the equipment depicted is prohibited.

HIGHLAND MACHINERY			
P.O. BOX 1190		PHONE: (304) 465-3295	
OAK HILL, WV 25901		FAX: (304) 465-3296	
FORKLIFT FRAME SLIDES IN FL1			
REV. #	DATE	BY	CHK
	12-7-01		
DWG. #	SCALE	DR	CHK
FLPARTS	none	JK	

PART # FL1



#REQ	ITEM#	MATERIAL DESCRIPTION	PART#
2	1	5" LONG 1-8 Gr8	
4	2	2" LONG 3/4-10 Gr8	
2	3	GREASE HOSES	
2	4	GREASE TUBES	
1	5	CYLINDER	A0198
1	6	1" SPACER PLATE	FLSP
1	7	FORK LIFT SLIDE MAST	W0219
2	8	1/2" HYDRAULIC HOSES	
4	9	2" BUCKETS PINS	630312
		OR	A279X1
2	10	BUCKET BUSHINGS	630310
1	11	WINCH ROLLER	WR

The information contained in this print is the Property of HIGHLAND MACHINERY and is intended for the use of the recipient (recipient's) for which it was originally supplied. Any unauthorized distribution or reproduction of this print or the equipment depicted is prohibited.

HIGHLAND MACHINERY	
P.O. BOX 1190 OAK HILL, WV 25901	PHONE: (304) 465-3295 FAX: (304) 465-3296
DESC: FORKLIFT FRAME	
PINS TO 488 SCOOP	
REV: #	DATE 12-7-01
DWG: # FLPARTS	SCALE none DR JK